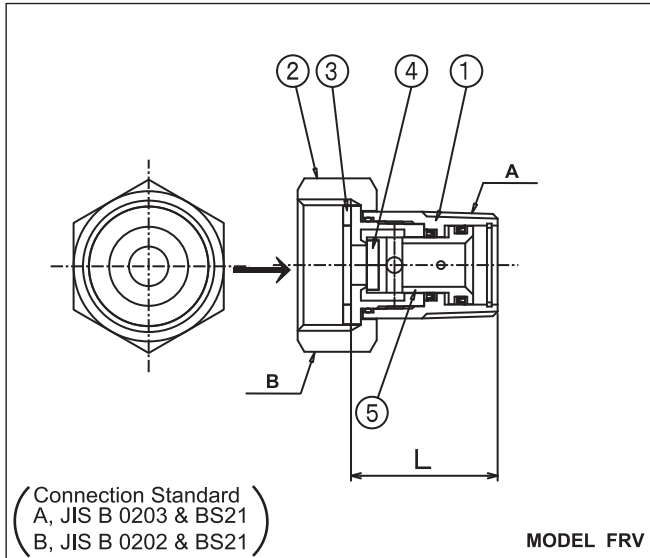


Constant Water Supply Pressure Reducing Valve : Model FRV



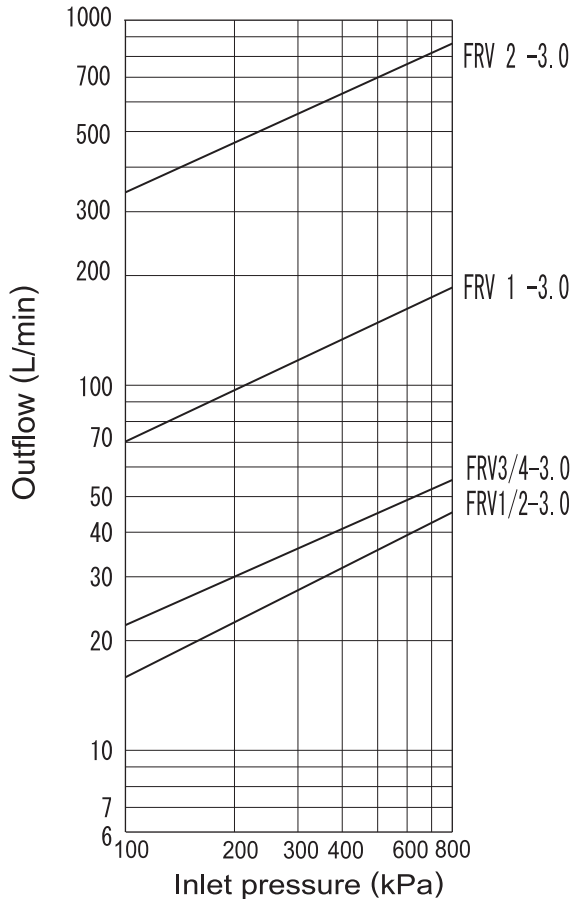
●Materials:

NO	Description	Materials
1	Body	Bronze
2	Union nut	Brass
3	Packing	EPDM
4	Disk	EPDM
5	Piston	Bronze

●Dimensions:

SIZE	Length (L)
1/2"	32.0 mm
3/4"	36.5 mm
1"	58 mm
2"	100 mm

●Flow characteristics: ratio 1:2



ISO9001 Certified

Japanese Industrial Standard Permitted Factory
Japan Water Works Association Authorized Factory

KKK KANE KOGYO Co., Ltd.

Head office and factory : 2036 Okusa, Komaki-shi, Aichi-ken 485-0802 Japan

TEL : 81-568-79-2476 FAX : 81-568-79-6422

Web site: <http://www.kkk-kane.co.jp> E-mail: overseasales@kkk-kane.co.jp

Edition 8-1/2003