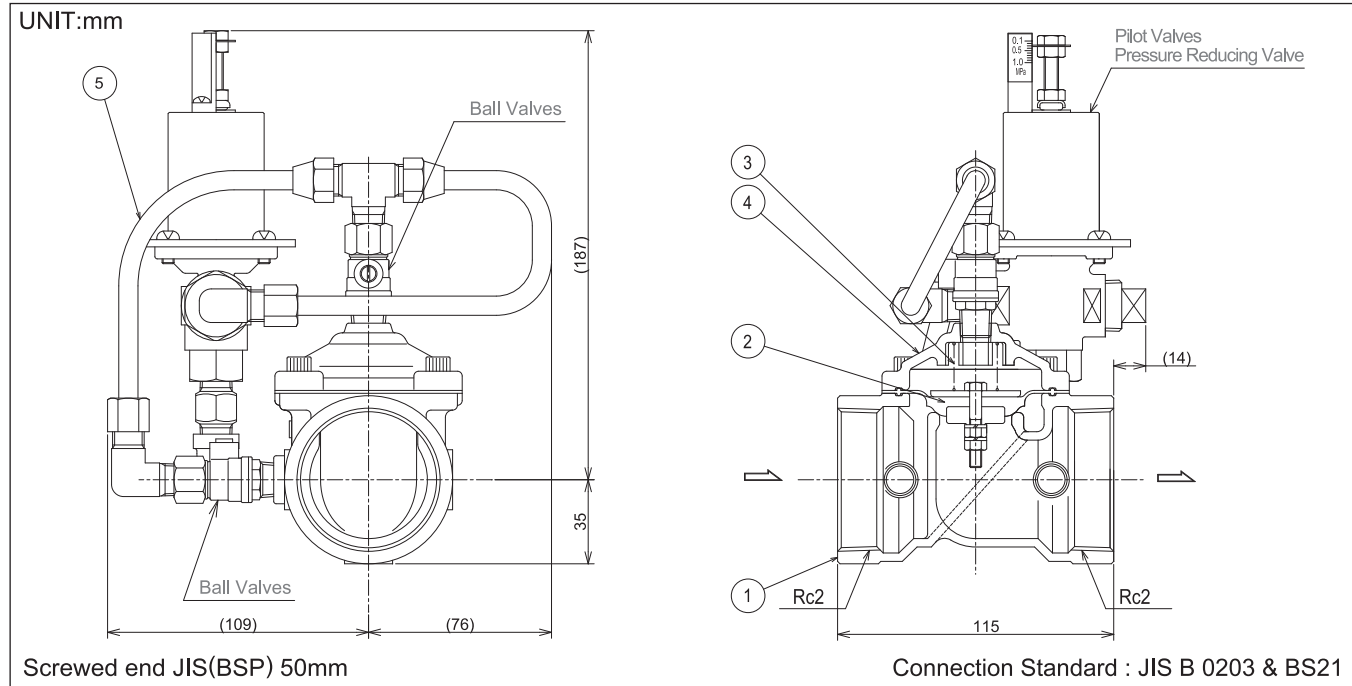
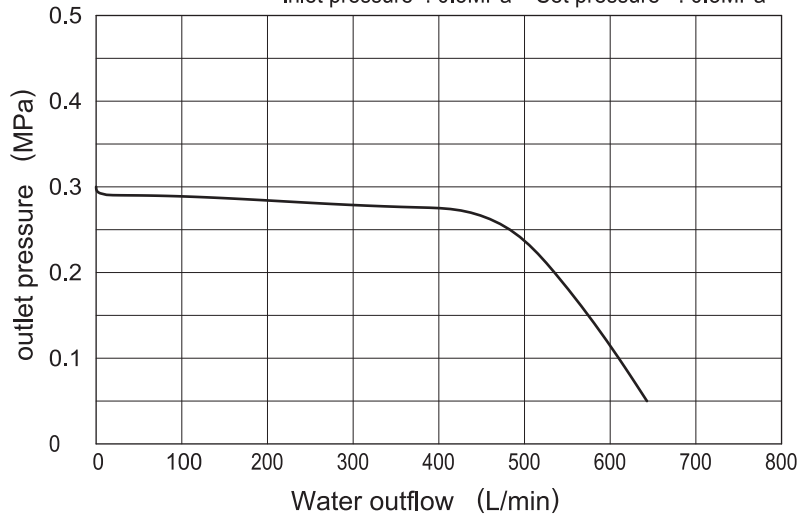


## Constant Pressure Reducing Pilot Operated Valve : Model KRD



### ●Flow characteristics: KRD-50

Inlet pressure : 0.5MPa Set pressure : 0.3MPa



### ●Materials:

No.	Description	Material
5	Pipe	(C),PA /(H),Copper
4	Cover	Bronze
3	Spring	Stainless Steel
2	Diaphragm	(C),EPDM /(H),FKM
1	Body	Bronze

**ISO9001 Certified**

Japanese Industrial Standard Permitted Factor  
Japan Water Works Association Authorized Factory

**KKK KANE KOGYO Co., Ltd.**

Head office and factory : 2036 Okusa, Komaki-shi, Aichi-ken 485-0802 Japan  
TEL : 81-568-79-2476 FAX : 81-568-79-6422

Web site: <http://www.kkk-kane.co.jp> E-mail: [overseasales@kkk-kane.co.jp](mailto:overseasales@kkk-kane.co.jp)