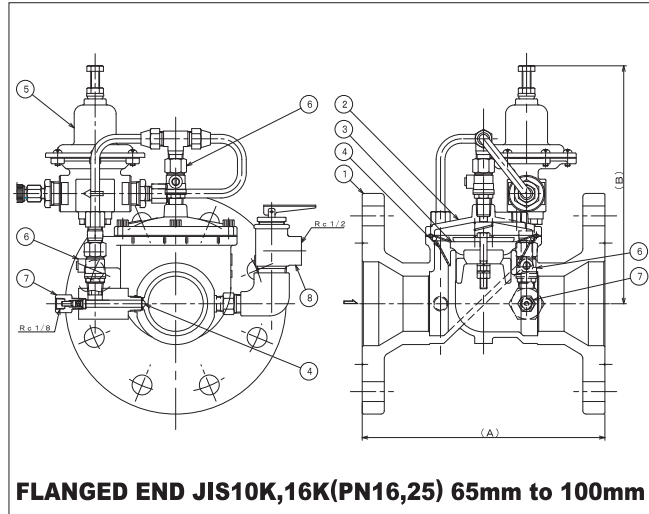
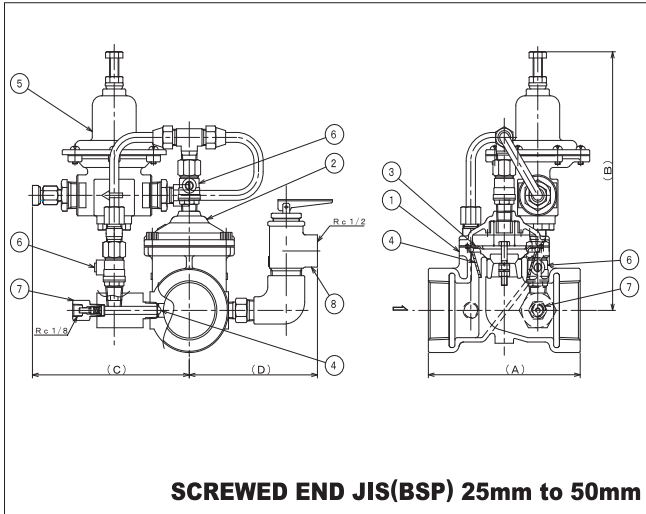


KKK BRONZE VALVES

Pressure Reducing Valve for Fire Fighting Equipments : Model KRF



Materials:

No.	Description	Material
1	Body	Bronze
2	Cover	Bronze
3	Diaphragm	E P D M
4	Strainer	Stainless Steel
5	Pilot Valve	Bronze
6	Ball Valve	Bronze
7	Gauge Adaptors	Brass
8	Relief Valve	Bronze

Dimensions:

unit : mm

Connection Standard : JIS B 2240				
Nom. Size		A	B	Flange
mm	inch			
65	2-1/2	204	(210)	JIS 10K
80	3	216	(215)	
100	4	296	(330)	
65	2-1/2	204	(210)	JIS 16K
80	3	220	(215)	
100	4	304	(330)	

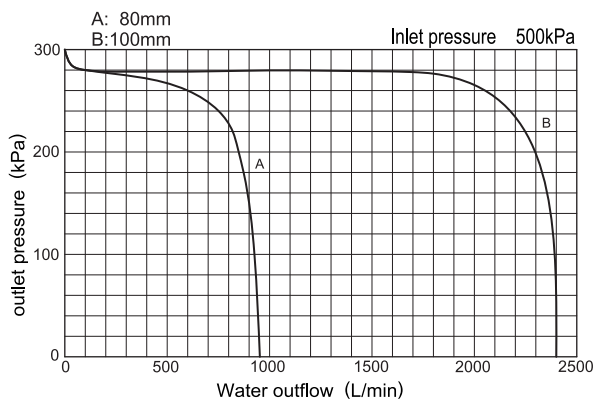
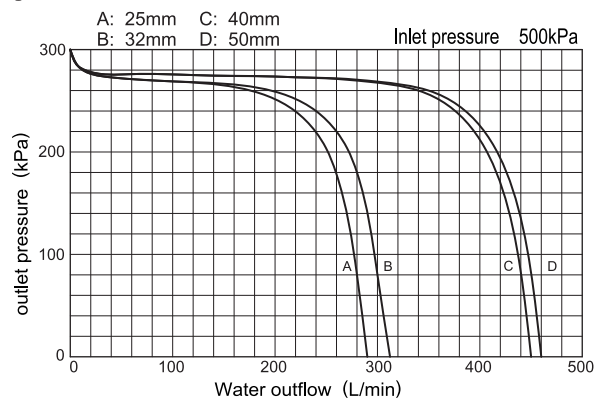
Dimensions:

unit : mm

Connection Standard : JIS B 0203 & BS 21						
Nom. Size		A	B	C	D	END
mm	inch					
25	1	104	(202)	(131)	(107)	25
32	1-1/4	104	(202)	(131)	(107)	32
40	1-1/2	132	(210)	(136)	(111)	40
50	2	132	(210)	(136)	(111)	50

Connection Standard : ISO 7005-3 (BS 4504)				
Nom. Size		A	B	Flange
mm	inch			
65	2-1/2	198	(210)	PN16
80	3	220	(215)	
100	4	300	(330)	
65	2-1/2	198	(210)	PN25
80	3	228	(215)	
100	4	312	(330)	

Flow characteristics:



ISO9001 Certified

Japanese Industrial Standard Permitted Factory
Japan Water Works Association Authorized Factory

KKK KANE KOGYO Co., Ltd.

Head office and factory : 2036 Okusa, Komaki-shi, Aichi-ken 485-0802 Japan

TEL : 81-568-79-2476 FAX : 81-568-79-6422

Web site: <http://www.kkk-kane.co.jp> E-mail: overseasales@kkk-kane.co.jp

Edition 12-1/2003