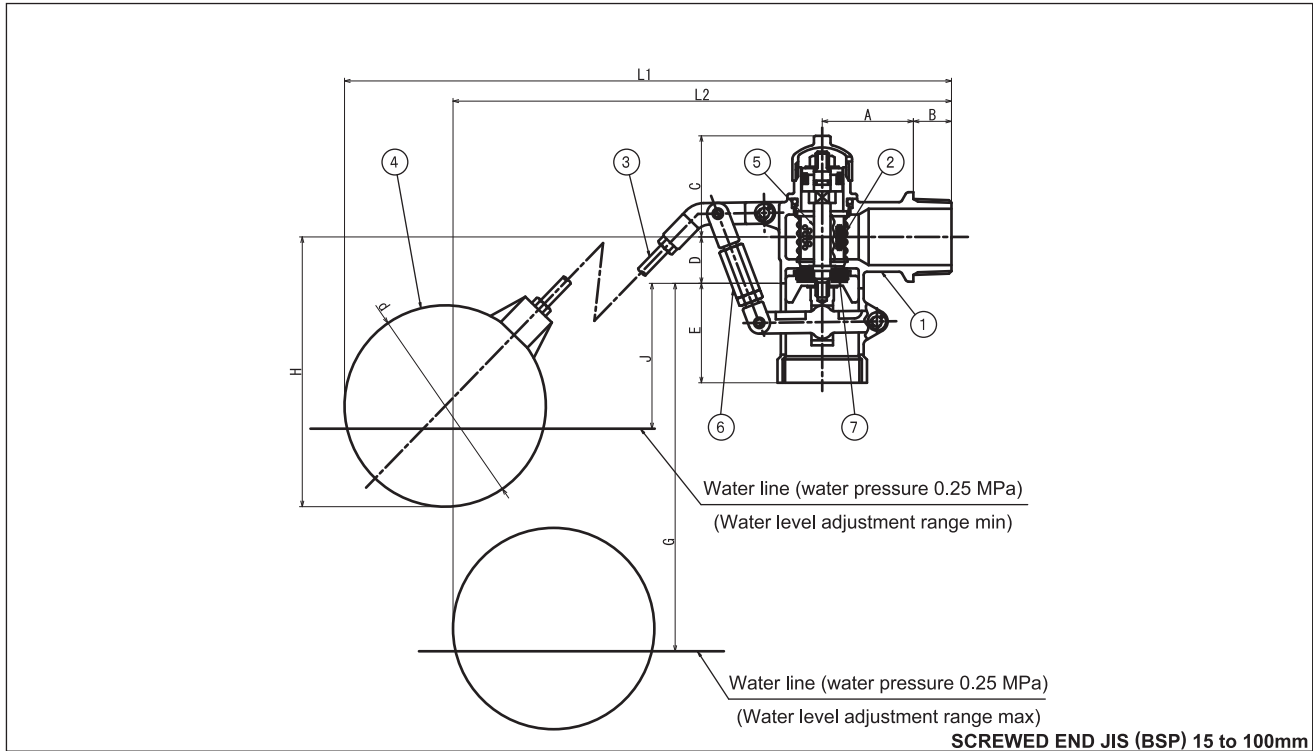


## Pressure Balanced Type Float Valve : Model FW



### ●DIMENSIONS

unit:mm

NOMINAL SIZE		A	B	C	D	E	L <sub>1</sub>	L <sub>2</sub>	J	H	Allowance of J	G	Allowance of G	Length of lever arm	float d	Connection Standard
MM	INCH															
15	1/2	25	30	27.5	15	27	(370)	(353)	50	98	±20	(100)	±20	150	100	JIS B 2061
20	3/4	40	35	33	20	37.5	(420)	(400)	50	103	±20	(100)	±20	150	120	
25	1	50	35	36.5	25	53	(490)	(466)	50	110	±20	(100)	±20	200	120	
32	1 1/4	50	22	60	25	54.5	(477)	(424)	100	180	±25	(200)	±25	235	120	JIS B 0203 & BS21
40	1 1/2	55	23	62	27	60	(541)	(471)	100	186	±25	(220)	±25	280	120	
50	2	68	26	72	28	69	(599)	(526)	100	188	±25	(240)	±25	280	150	JIS B 0202 & BS21
65	2 1/2	90	28	80.5	46	74	(758)	(724)	100	195	±30	(190)	±30	450	150	
80	3	100	28	87	53	85	(900)	(875)	120	243	±30	(190)	±30	550	180	
100	4	130	30	105	70	102	(994)	(972)	140	266	±30	(200)	±30	600	180	

( ) Rough estimate

### ●Materials:

No.	Description	Material
7	Disc	NBR
6	CONNECTOR (ADJUSTABLE)	Brass
5	Valve spindle	Brass
4	Floats	Poryethylene
3	Lever arm	BRONZE(SIZE:15,20,25,50)
		Stainless Steel(SIZE:30,40)
		Brass(SIZE:65,80,100)
2	Strainer	Stainless Steel
1	Body	BRONZE

note:copper float is available.

### ISO9001 Certified

Japanese Industrial Standard Permitted Factory  
Japan Water Works Association Authorized Factory

## KKK KANE KOGYO Co., Ltd.

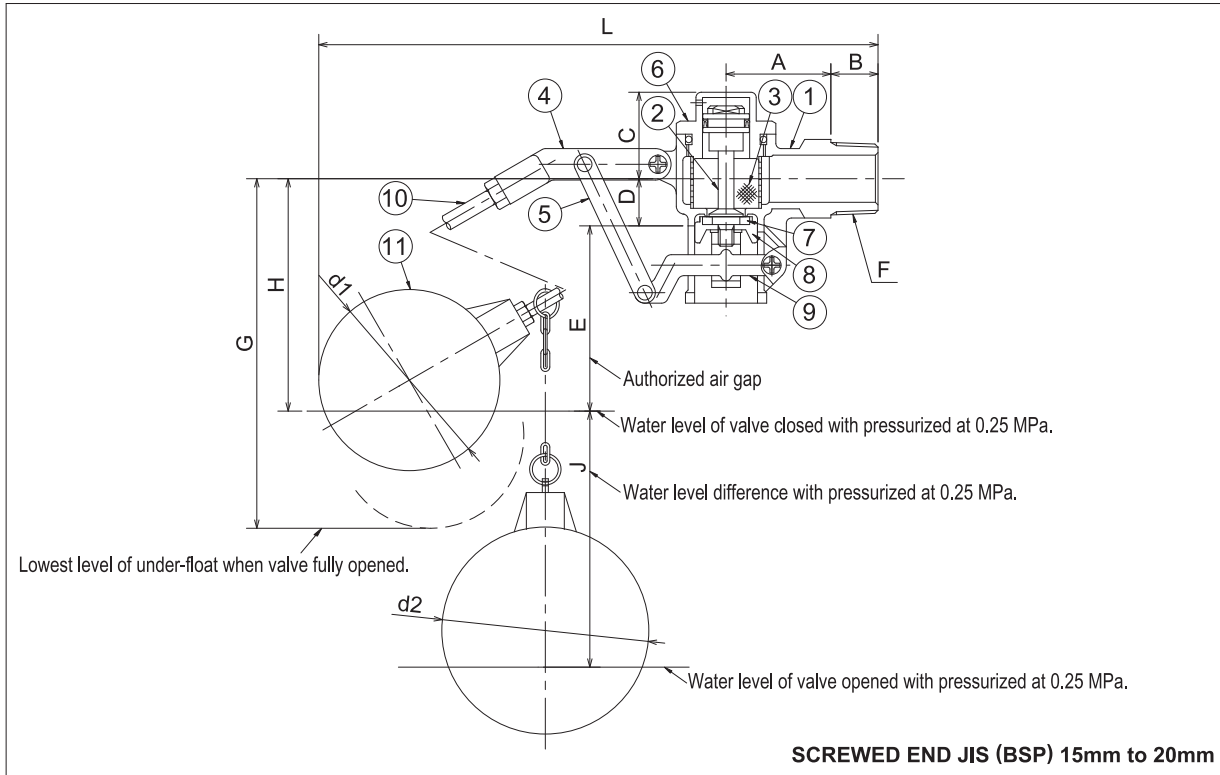
Head office and factory : 2036 Okusa, Komaki-shi, Aichi-ken 485-0802 Japan

TEL : 81-568-79-2476 FAX : 81-568-79-6422

Web site: <http://www.kkk-kane.co.jp> E-mail: [overseasales@kkk-kane.co.jp](mailto:overseasales@kkk-kane.co.jp)

Edition 8-1/2003

## Pressure Balanced Type Float Valve For Pilot : Model FWD



### ●Dimensions:

UNIT:mm

NOMINAL SIZE		A	B	C	D	E	L	H	F	Allowance of E	J	G	Length of lever arm	float d1	float d2
MM	INCH														
15	1/2	33	17	33	18	150	(400)	168	R1/2	±25	(200~500)	(285)	200	100	120
20	3/4	40	18	33	18	150	(408)	168	R3/4	±25	(200~500)	(285)	200	100	120

Connection Standard : JIS B 0203 & BS21

( ) Rough estimate

### ●Materials:

No.	Description	Material	No.	Description	Material
1	Body	Bronze	7	Disk	NBR
2	Valve spindle	Brass	8	Guide	Bronze
3	Strainer	Stainless Steel	9	Lever B	Brass
4	Lever A	Bronze	10	Lever arm	Brass
5	Rink	Stainless Steel	11	Float	Polyethylene
6	Cylinder	Brass			

**ISO9001 Certified**

Japanese Industrial Standard Permitted Factory  
Japan Water Works Association Authorized Factory

**KKK KANE KOGYO Co., Ltd.**

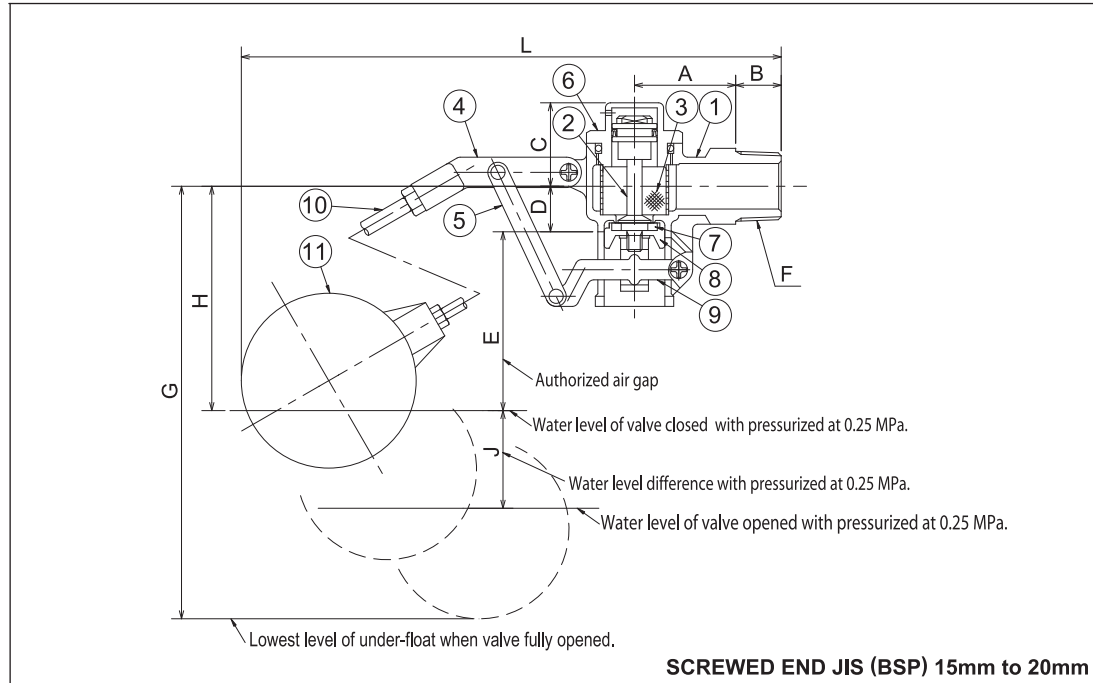
Head office and factory : 2036 Okusa, Komaki-shi, Aichi-ken 485-0802 Japan

TEL : 81-568-79-2476 FAX : 81-568-79-6422

Web site: <http://www.kkk-kane.co.jp> E-mail: [overseasales@kkk-kane.co.jp](mailto:overseasales@kkk-kane.co.jp)

Edition 8-1/2003

## Pressure Balanced Type Float Valve For Pilot : Model FWDS



### ●Dimensions:

UNIT:mm

NOMINAL SIZE		A	B	C	D	E	L	H	F	Allowance of E	J	G	Length of lever arm	float
MM	INCH													
15	1/2	33	17	33	18	150	(475)	168	R1/2	±30	(100)	(355)	250	120
20	3/4	40	18	33	18	150	(483)	168	R3/4	±30	(100)	(355)	250	120

Connection Standard : JIS B 0203 & BS21

( ) Rough estimate

### ●Materials:

No.	Description	Material	No.	Description	Material
1	Body	Bronze	7	Disk	NBR
2	Valve spindle	Brass	8	Guide	Bronze
3	Strainer	Stainless Steel	9	Lever B	Brass
4	Lever A	Bronze	10	Lever arm	Brass
5	Rink	Stainless Steel	11	Float	Polyethylene
6	Cylinder	Brass			

**ISO9001 Certified**

Japanese Industrial Standard Permitted Factory  
Japan Water Works Association Authorized Factory

**KKK KANE KOGYO Co., Ltd.**

Head office and factory : 2036 Okusa, Komaki-shi, Aichi-ken 485-0802 Japan

TEL : 81-568-79-2476 FAX : 81-568-79-6422

Web site: <http://www.kkk-kane.co.jp> E-mail: [overseasales@kkk-kane.co.jp](mailto:overseasales@kkk-kane.co.jp)

Edition 8-1/2003