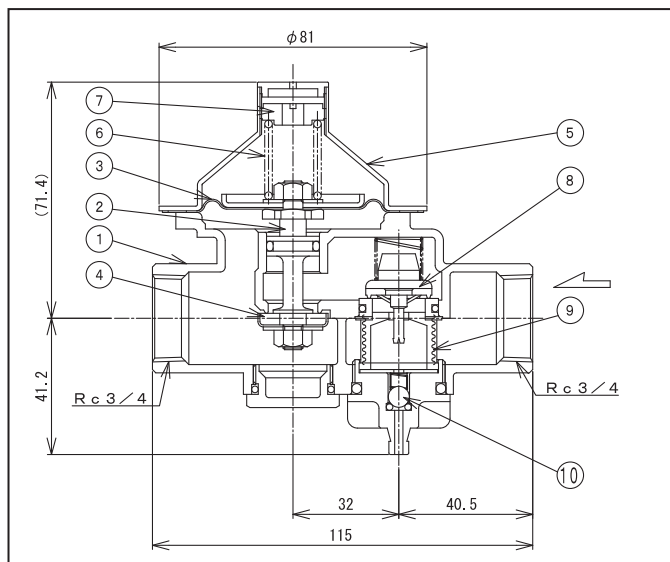


## Pressure Reducing Valve : Model KRME



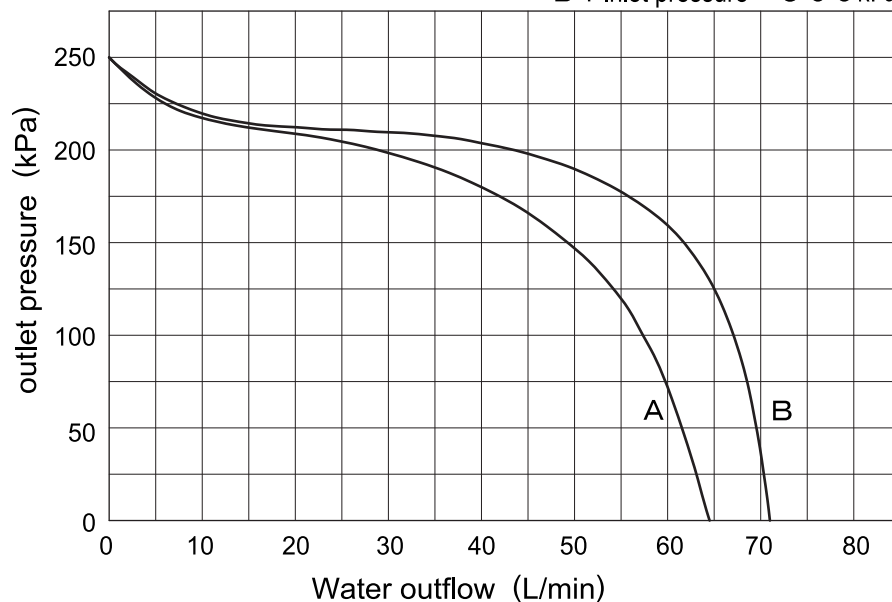
### ●Materials:

No.	Description	Material
1	Body	Bronze
2	Spindle	Brass
3	Diaphragm	NBR
4	Disk	NBR
5	Cover	Carbon Steel
6	Spring	Piano Wire
7	Adjusting screw	Brass
8	Check Valve	Synthetic Rubber
9	Strainer	Synthetic Rubber Stainless Steel
10	Vacuum breaker valve	Stainless Steel

### ●Flow characteristics:

A : Inlet pressure 300 kPa

B : Inlet pressure 500 kPa



### ISO9001 Certified

Japanese Industrial Standard Permitted Factory  
Japan Water Works Association Authorized Factory

## KKK KANE KOGYO Co., Ltd.

Head office and factory : 2036 Okusa, Komaki-shi, Aichi-ken 485-0802 Japan

TEL : 81-568-79-2476 FAX : 81-568-79-6422

Web site: <http://www.kkk-kane.co.jp> E-mail: [overseasales@kkk-kane.co.jp](mailto:overseasales@kkk-kane.co.jp)