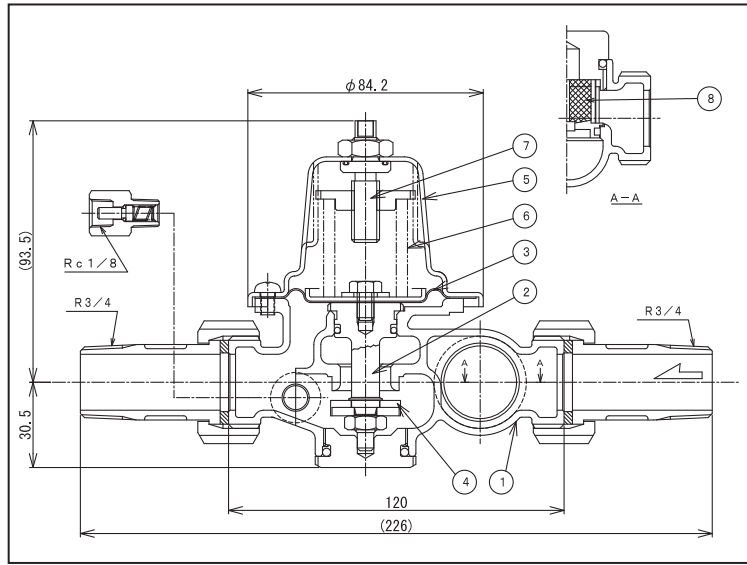


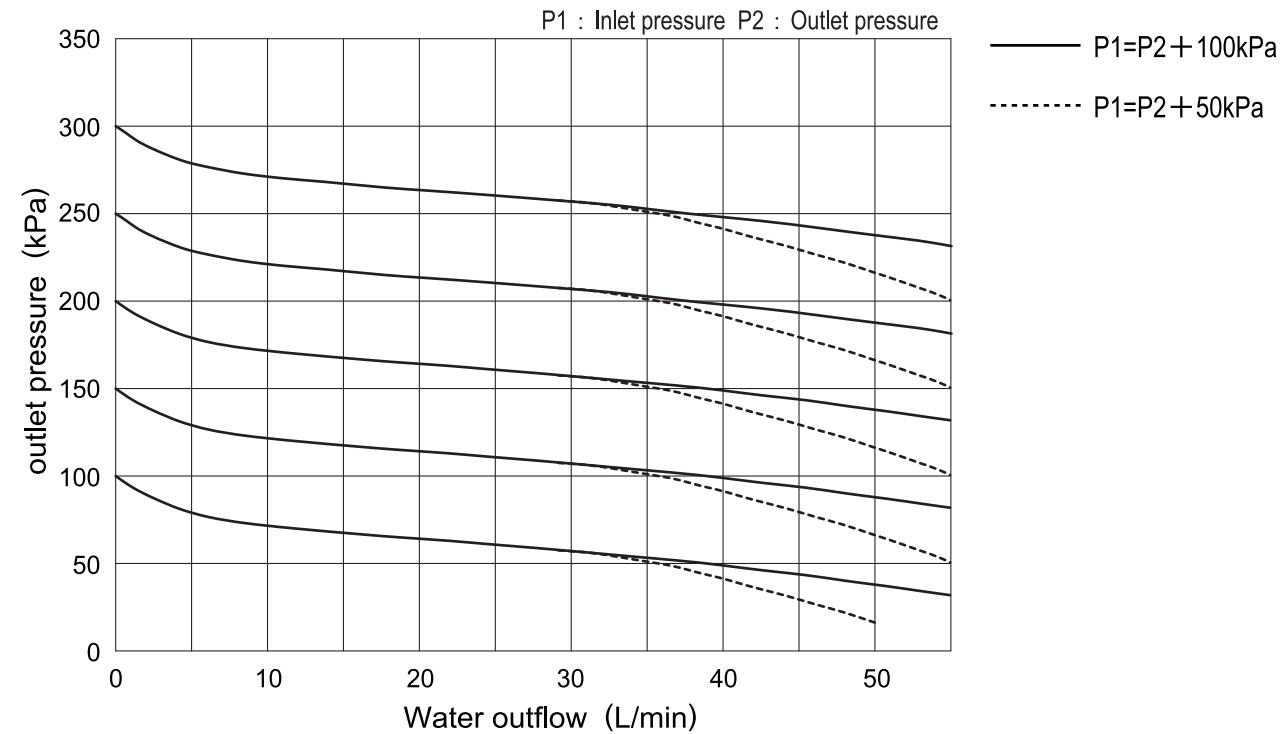
## Pressure Reducing Valve Model KRX



### ●Materials:

No.	Description	Material
1	Body	Bronze
2	Spindle	Brass
3	Diaphragm	NBR
4	Disk	NBR
5	Cover	Carbon Steel
6	Spring	Oil Temp. Wire
7	Adjusting screw	Brass
8	Strainer	Stainless Steel

### ●Flow characteristics:



**ISO9001 Certified**

Japanese Industrial Standard Permitted Factory  
 Japan Water Works Association Authorized Factory

**KKK KANE KOGYO Co., Ltd.**

Head office and factory : 2036 Okusa, Komaki-shi, Aichi-ken 485-0802 Japan

TEL : 81-568-79-2476 FAX : 81-568-79-6422

Web site: <http://www.kkk-kane.co.jp> E-mail: [overseasales@kkk-kane.co.jp](mailto:overseasales@kkk-kane.co.jp)

Edition 10-1/2003