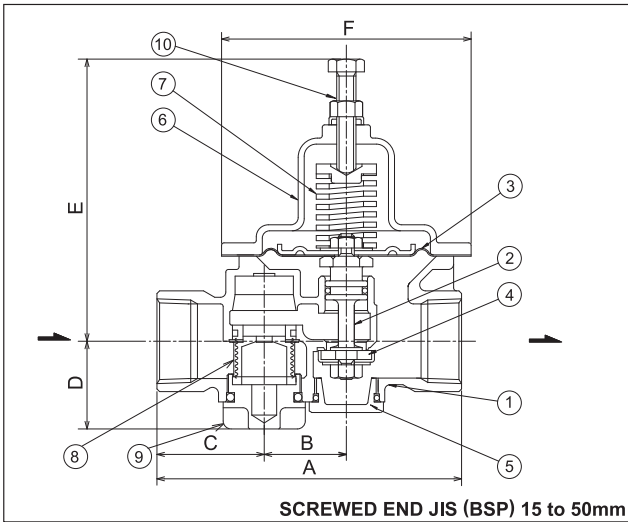


## Pressure Reducing Valve Screwed Ends : Model KRY



### ●Materials:

No.	Description	Material
1	Body	Bronze
2	Spindle	Bronze
3	Diaphragm	EPDM
4	Disk	EPDM
5	Disk cap	Bronze
6	Cover	Bronze
7	Spring	Oil Temp. Wire
8	Strainer	Stainless Steel
9	Strainer cap	Bronze
10	Adjustable spindle	Brass

### ●Dimensions:

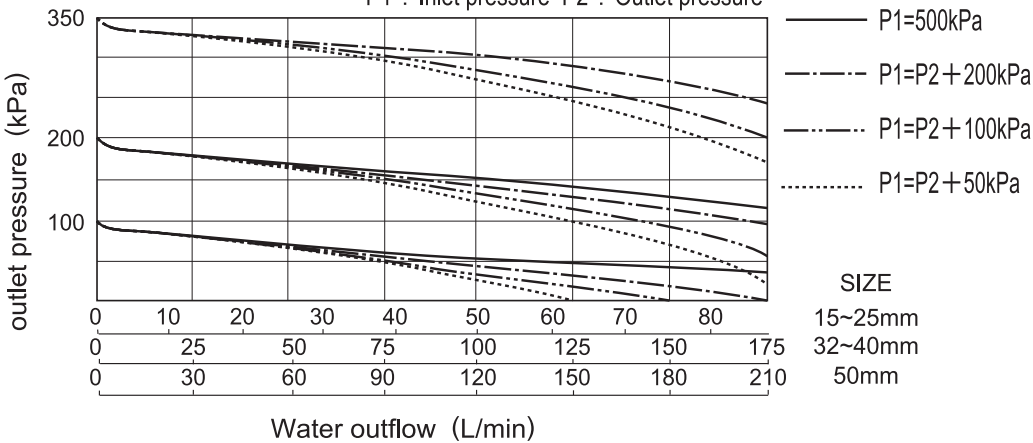
unit : mm

Connection Standard : JIS B 0203 & BS 21

Nom. Size		A	B	C	D	E	F
mm	inch						
15	1/2	115	32	39.5	33.2	(~109)	φ 90
20	3/4	115	32	39.5	33.2	(~109)	φ 90
25	1	115	32	39.5	33.2	(~109)	φ 90
32	1-1/4	140	48	43	47.5	(~124.5)	φ 90
40	1-1/2	140	48	43	47.5	(~116.5)	φ 90
50	2	153	53	46.5	72.2	(~122)	φ 90

### ●Flow characteristics:

P1 : Inlet pressure P2 : Outlet pressure



**ISO9001 Certified**

Japanese Industrial Standard Permitted Factory  
Japan Water Works Association Authorized Factory

**KKK KANE KOGYO Co., Ltd.**

Head office and factory : 2036 Okusa, Komaki-shi, Aichi-ken 485-0802 Japan

TEL : 81-568-79-2476 FAX : 81-568-79-6422

Web site: <http://www.kkk-kane.co.jp> E-mail: [overseasales@kkk-kane.co.jp](mailto:overseasales@kkk-kane.co.jp)

Edition 8-1/2003