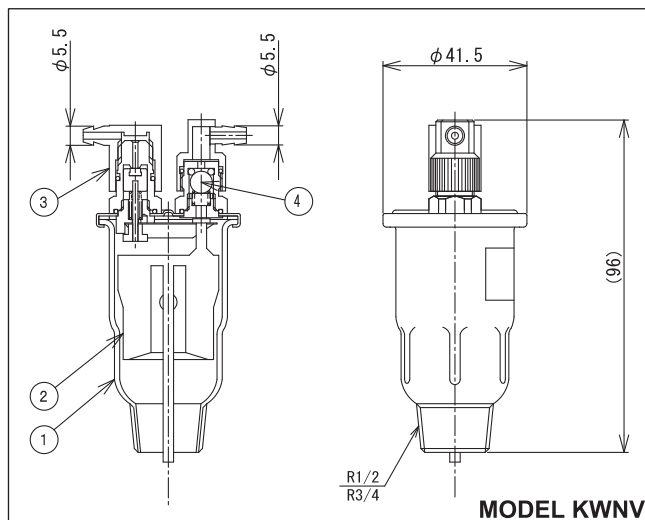
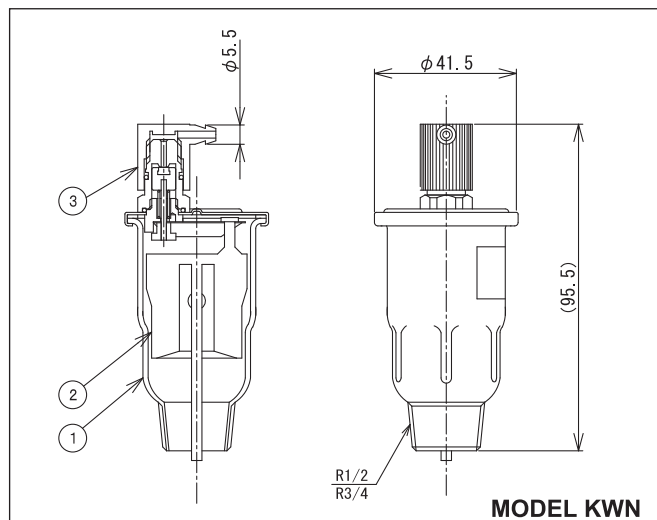


Auto Air Vent Valve : Model KWN/KWNV

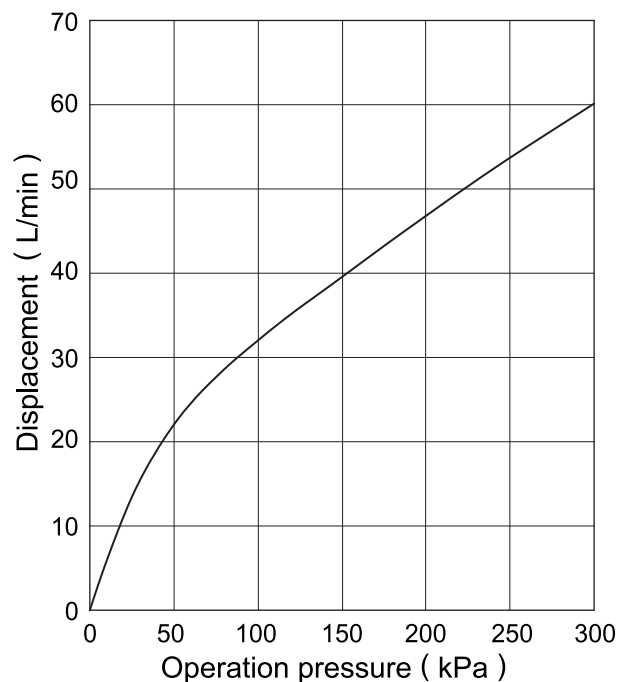


●Materials:

No.	Description	Material
1	Body	Stainless Steel
2	Float	PP
3	Cap	POM
4	Negative pressure operation valve	Stainless Steel

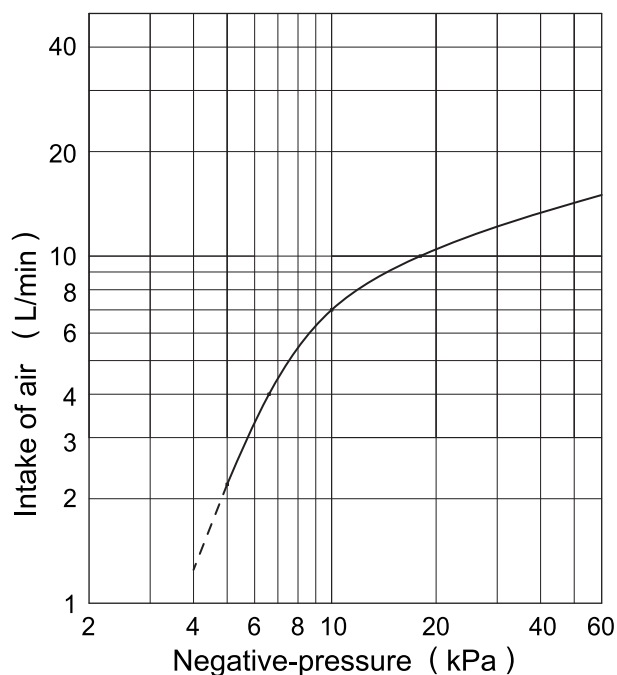
●Displacement table :

(MODEL KWN,KWNV)



●Intake table :

(MODEL KWNV)



ISO9001 Certified

Japanese Industrial Standard Permitted Factory
Japan Water Works Association Authorized Factory

KKK KANE KOGYO Co., Ltd.

Head office and factory : 2036 Okusa, Komaki-shi, Aichi-ken 485-0802 Japan

TEL : 81-568-79-2476 FAX : 81-568-79-6422

Web site: <http://www.kkk-kane.co.jp> E-mail: overseasales@kkk-kane.co.jp