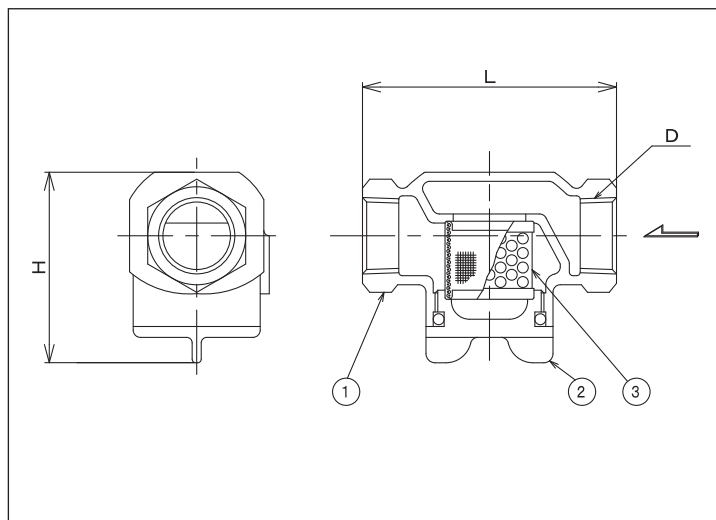


Strainer : Model ST



●Materials:

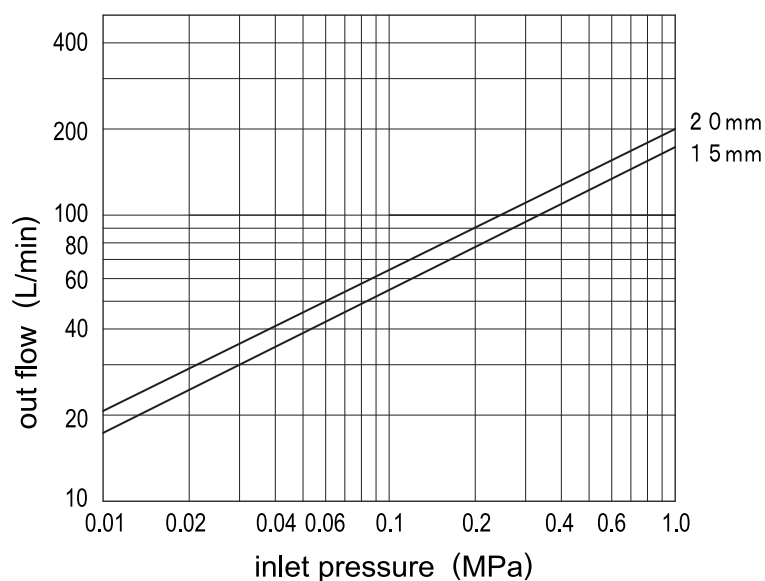
No.	Description	Material
1	Body	Bronze
2	Cap	Bronze
3	Strainer	Stainless Steel

●Dimensions:

unit : mm

Nom. Size	L	H	D
15	70	53	Rc1/2
20	70	53	Rc3/4

●Flow characteristics:



ISO9001 Certified

Japanese Industrial Standard Permitted Factory
Japan Water Works Association Authorized Factory

KKK KANE KOGYO Co., Ltd.

Head office and factory : 2036 Okusa, Komaki-shi, Aichi-ken 485-0802 Japan

TEL : 81-568-79-2476 FAX : 81-568-79-6422

Web site: <http://www.kkk-kane.co.jp> E-mail: overseasales@kkk-kane.co.jp